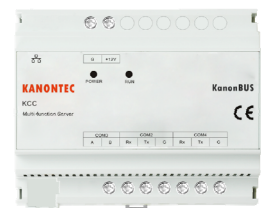


KCC 多功能主机

多协议支持

操作说明书



订货号. KCC

KCC-NEW

注意

RISK
All work carried out on the unit may only be performed by skilled electricians. Observe the regulations valid in the country of use, as well as the valid KNX guidelines

CAUTION
Do not connect the main voltage (230 V) or any other external voltage to any point of the BUS, except for the specific connections.

概述

KCC 多功能系统集成网关, 可将各种流行的通信协议(基于 RS485 及 RS232 的各种通信协议, TCP/IP、UDP 协议, BACnet/IP 协议, Modbus RTU/TCP 等)进行集成和相互转换, 可以为您实现真正的智能化解决方案。

KCC 根据多年的集成经验以及各种系统终端的特点, 整合了常用的“专用协议库”, 包含如主流品牌空调协议、可视对讲、会议中控系统、楼宇自控系统 (BA/BMS) 等等, 涵盖了基于 RS232/RS485 的各种协议、标准 Modbus 协议、标准 BACnet 协议、基于 TCP/IP 的协议、XML-RPC/SOAP 协议等等。

KCC 网关解决方案 = KCC 硬件 + 软件模组

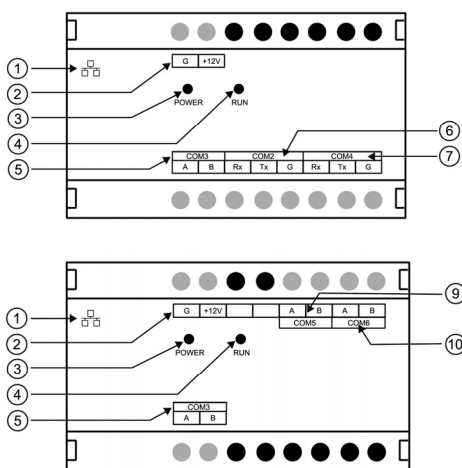
- ◆ KCC : 承载协议的硬件平台, 系统集成的基础
- ◆ 软件模组 : 实现协议转换的具体内容, 基本完成了复杂的系统集成协议, 用户仅需简单的配置即可完成系统集成

类型	简介
KCC	<ul style="list-style-type: none"> • 1xRS485, 2xRS232 • 1 个 RJ45 接口 • 支持 BACnet 协议
KCC-New	<ul style="list-style-type: none"> • 3xRS485 • 1 个 RJ45 接口 • 支持 BACnet 协议

特点及典型应用

- ◆ 实现基于 RS232/RS485 的专用协议、标准 Modbus RTU/TCP 协议、标准 BACnet/IP 协议、基于 TCP/IP 的专用协议、以及中控/可视化 APP/ios/Android 软件之间的无缝转换。
- ◆ 自带三个独立的串口服务器
- ◆ 支持 UDP 组播, 使得多个 KCC 可以组网
- ◆ 已集成多种协议数据库, 用户仅需调用相关协议库无需或仅需简单的配置即可完成系统集成;
- ◆ 支持逻辑、日历/星期定时、组地址转发等功能
- ◆ 背景音乐、音视频矩阵切换控制
- ◆ 会议/中控系统集成
- ◆ 可视对讲控制集成
- ◆ BA/BMS 系统集成

模块说明

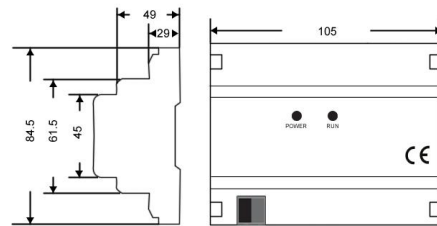


- ① Ethernet RJ45
- ② 电源供电 12V DC
- ③ LED Power 指示灯
- ④ LED Run 指示灯
- ⑤ COM3 (RS485)
- ⑥ COM2 (RS232)
- ⑦ COM4 (RS232)
- ⑧ COM5 (RS485)
- ⑨ COM6 (RS485)

操作指示灯

LED Power 亮	模块已上电
LED RUN 亮	网关启动完毕
LED RUN 闪烁	网关收到数据正在处理

安装接线



- ① 网关符合 DIN 35mm 标准化导轨安装, 安装尺寸见上图。拉动模块下方的弹簧片即可将模块很方便地卡在标准化导轨上。
- ② 按照标签指示接上 12V 辅助电源, 请注意正极和负极。
- ③ 中控主机通过三芯串口线或网线接入 KCC 系统
- ④ 根据不同的使用需求连接终端系统(RS232, RS485, CAT5 等)
- ⑤ 上电时 Power 电源指示灯亮。启动完毕(约 15 秒), RUN 指示灯亮

基本设置

- 将 KCC 网关与调试用电脑置于同一个局域网内。(同一个路由器或电脑直接连接 KCC 网关)

username	admin
password	123
IP address	192.168.1.232
Port	80

注: 使用同一个路由器时请确保路由器的网段与 KCC、电脑相同。使用电脑直接连接 KCC 时请确保电脑的 IP 地址已经修改成与 KCC 同一网段。

- 使用电脑自带的浏览器(推荐使用火狐 Firefox、Google Chrome、Safari 等浏览器, 不建议使用 IE 及使用 IE 内核的浏览器)。在地址栏中输入 KCC 的 IP 地址, 即可访问 KCC 后台管理界面;
- 基本操作: 在每个功能模组里右键点击“建筑/功能”或文件夹即可添加子项/对象。左键点击对象或类别即可进行修改、删除、复制、移动等操作;

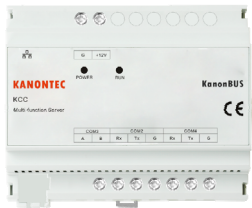
技术参数

电源供电	12V DC
电流消耗	< 300 mA
处理器	工业级 32 位 ARM9 系列 CPU。实时时钟 RTC, 具有掉电保护功能
工作温度	0°C ... +70°C
防护等级	IP20
产品认证	SGS, CE
模块尺寸	6 X 17.5mm DIN-Rail

KCC Multi-function server

Host

Operation Manual



Order No.

KCC

KCC-New

Attention

RISK
All work carried out on the unit may only be performed by skilled electricians. Observe the regulations valid in the country of use, as well as the valid KNX guidelines

CAUTION
Do not connect the main voltage (230 V) or any other external voltage to any point of the BUS, except for the specific connections.

Abstract

KCC Series Gateways can integrate many popular protocols such as RS485 and RS232 based protocols , TCP/IP、 UDP , BACnet/IP, Modbus RTU/TCP and so on. It can realize the real solution of the Smart building.

KCC series has big protocol stock, including several systems in the Smart buildings, such as air-conditions, heating, visual intercom, central controls, background music system, BA/BMS and so on.

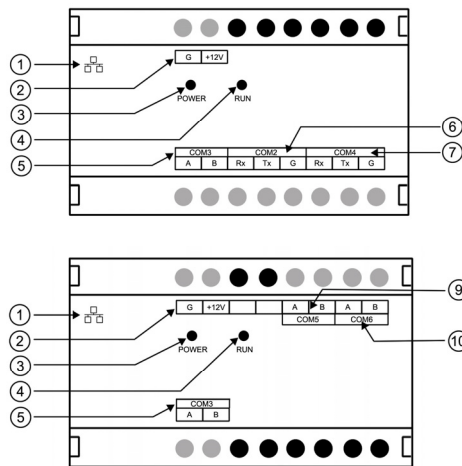
The KCC has two different types:

Type	Port	Functions
KCC	1xRJ45 1xRS485 2xRS232	Standard protocol support BACnet/IP support IOS/Android/Windows software Remote control Logic and time control
KCC-NEW	1xRJ45 3xRS485	Same as KCC

Main Features

- ◆ Support RS232/RS485 based protocols, Modbus RTU/TCP, BACnet/IP, TCP/IP based protocols, and APP/ios/Android Softwares.
- ◆ 3 independent COM ports for Serial-Server, support hexadecimal number and ASCII
- ◆ UDP multicast supported, so many KCC can be communicated each other.
- ◆ KNX visualization for iPad/iPhone/Android/Windows
- ◆ BA/BMS BACnet/IP to KNX (Server Mode)
- ◆ BA/BMS Modbus TCP to KNX (Server)
- ◆ Logic and time control support

Operating elements

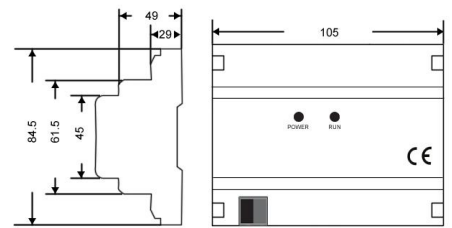


- ⑧ Ethernet RJ45
- ⑨ Power Supply 12V DC
- ⑩ LED Power indicator
- ⑪ LED Run indicator
- ⑫ COM3 (RS485)
- ⑬ COM2 (RS232)
- ⑭ COM4 (RS232)
- ⑮ COM5 (RS485)
- ⑯ COM6 (RS485)

LED Indicator

- LED Power ON Device is power on
- LED RUN ON Device started OK
- LED RUN Flash Device is processing

Wiring and Install



- ① The device is suitable for installation in the connection unit or small enclosures for fast installation on 35mm mounting rails to DIN EN 60715.
- ② Connect 12v power (Notice the polarity)
- ③ The electrical connection is implemented using screw terminals. The terminal designations are located on the housing.
- ④ Connect with different systems(com or rj45)
- ⑤ LED RUN will be ON-status when the Gateway starts successfully. (ca. 15s)

Basic Settings

- ① Putting the KCC and the computer in the same LAN-Network, then using a web-browser (Firefox, Google Chrome, Safari, IE9 above etc.) to open the administration User interface.

Below are the default parameters.

username	admin
password	123
address	http://192.168.1.232
Port	80

- ② Entering into the "Basic Setting", and we can define the hardware settings such as Start-up method, Serial-COM settings, Network settings, Time calibration, etc.
- ③ Entering into each Module and then define the settings for each Module. Right-click the "Building/Functions", we can add the new records for the Module and Left-click each record we can edit it.

Technical Data

Power Supply	12V DC
Consumption	< 300 mA
Temperature	0°C ... +70°C for working -20°C ... +85°C for storage
IP Classic	IP20
Certification	SGS , CE
Device Size	6 X 17.5mm Standard DIN-Rail