

## KTH-TP1KNX-W701

## KNX 电容触摸屏

说明书



## 订货号. KTH-TP1KNX-W701

## 安全

## ⚠ RISK

All work carried out on the unit may only be performed by skilled electricians. Observe the regulations valid in the country of use, as well as the valid KNX guidelines

## ⚠ CAUTION

Do not connect the main voltage (230 V) or any other external voltage to any point of the BUS, except for the specific connections.

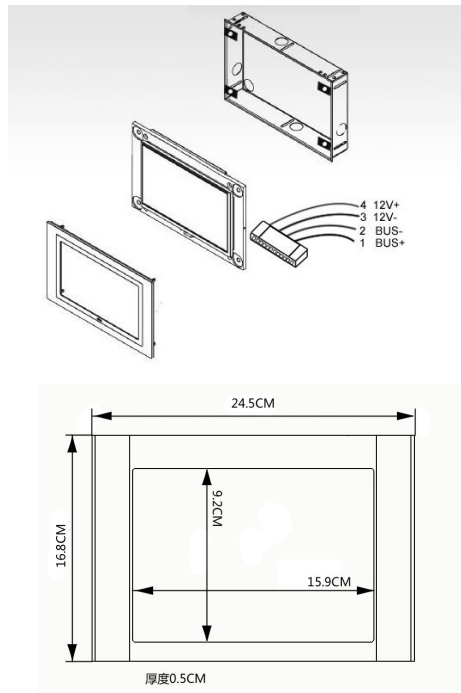
## 概述

KTH-TP1KNX 系列触摸屏是专为 EIB/KNX 开发的墙装嵌入式彩色液晶触摸屏,可兼容所有符合 EIB/KNX 的产品系统,并结合相应的灯光开关、调光控制模块,电动窗帘控制模块,地暖控制模块,空调控制模块/网关等控制器,使得一个独立精巧的触摸屏便能取代多个挂墙开关、控制面板及温度显示等。其界面时尚、简洁、直观,设计充分考虑了 HMI(Human Machine Interface 人机界面)的基本需求,适合高品位的智能现代家居。

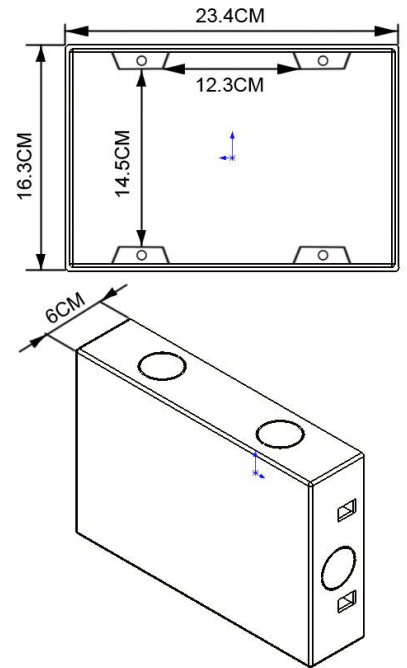
## 主要功能

- 先进的 7 寸电容式触控,高体验触感
- 屏幕解析分辨率 800x480
- 带自动休眠屏保/触控唤醒功能
- 低功耗高效率运转,极低发热量,适合各种嵌墙安装方案
- 边框采用全金属磨砂风格,支持用户需求定制
- 支持图形化界面操作,用户可上传户型图、图标,可定义图标位置等
- 可控制灯光/调光、窗帘、地暖、空调、新风、场景、安防等
- 可实时监测控制对象状态
- 自带 EIB/KNX 接口,无需另加 KNX 接口模块
- 可实现 UDP 协议数据报文直接发送。

## 示意图



## 底盒尺寸



## 编程调试

KTH-TP1KNX 触摸屏系列均采用网线作为调试连接线。将电脑与触摸屏通过各自的网口相连,并将电脑与触摸屏共同设为同一个网段(触摸屏出厂网络 IP 地址: 192.168.1.232),然后打开浏览器(建议 IE7/Firefox/Safari/Google Chrome),输入网关 IP 地址: <http://192.168.1.232> (注:如果已经在管理界面修改过网关 IP 地址,则以修改的为准)登录后台管理:(默认用户名:admin 密码:111),且可以在后台“登陆设置”中进行修改。

## KTH-TP1KNX-W701

## KNX Capacitive Touch Screen

Operation Manual



Order No. KTH-TP1KNX-W701

## Safety

## ⚠ RISK

All work carried out on the unit may only be performed by skilled electricians. Observe the regulations valid in the country of use, as well as the valid KNX guidelines

## ⚠ CAUTION

Do not connect the main voltage (230 V) or any other external voltage to any point of the BUS, except for the specific connections.

## General

The Capacitive KNX touch panel 7" is a modern display and control unit which impresses with its convenient operation and wide range of possible applications. Light, heating, roller shutters and blinds can be controlled from a central point and connected devices switched on and off with ease – and all this can be done interactively via the touch-sensitive TFT screen.

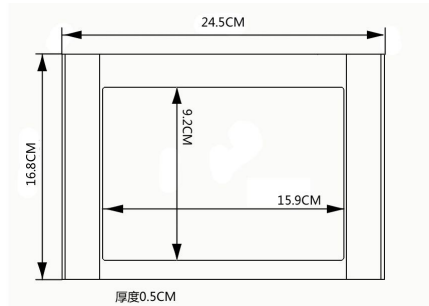
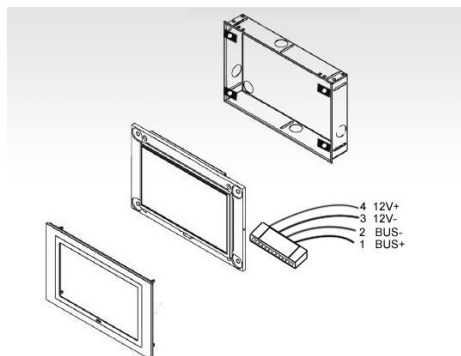
The KanonBUS KTH TP has some very useful widget such as Toggle Button, Slider Bar, and Temperature Control and so on. It can be suitable for all the needs for EIB/KNX based projects.

The KTH Touch Screen integrates also the UDP Client function. That means it can trigger the UDP data packet from the User Interface to call such as Open the TV, make the communications with terminals which has the UDP Server Function.

## Features

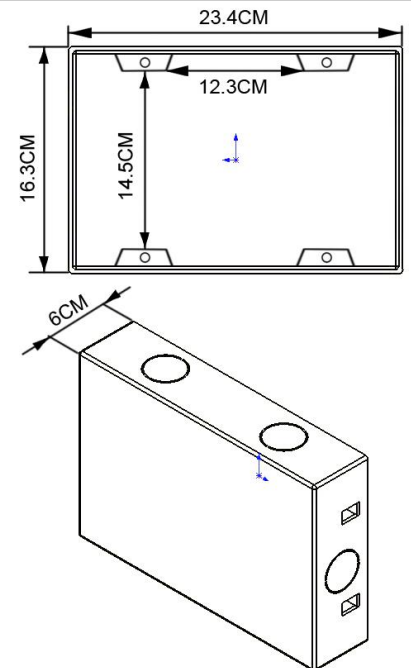
- 7" color TFT monitor
- Capacitive touch with the slider function possible
- Resolution 800 x 480 pixels
- Automatic Standby and touch-Awake
- Very low power consumption, especially when suspending. So it is suitable for the wall-mounting
- 12V DC as the external power supply which has also EIB/KNX interface integrated.
- Metal Frame, customer supported
- MAP navigation operations
- UDP Client data packet function integrated.

## Diagram



- 1) The device contains three parts: Frame, Body and the Bottom Box.
- 2) First, you should embed the Bottom Box into the WALL.
- 3) Second, plug the 4-pin terminals (12V+, 12V-, BUS+, BUS-) into the Body.
- 4) Third, fix the Body to the Box using 4 screws
- 5) Then, plug the Frame into the Body using ②
- 6) Fix the Frame using ①

## Dimension (mm)



## Quick Start

KTH Touch screen using IP based method for programming and setting. First, you should set the Touch Screen and your PC/Laptop into the same LAN(Local Area Network). Then open the modern Browsers such as Firefox/Google Chrome, typing the Touch screen IP Address, then you can make the administration with it. By default, the Address and the administrator account is as below:

username	admin
password	123
IP address	192.168.1.230
Netmask	255.255.255.0

## Technical Data

Power supply	12V DC as external Power 21...30V BUS
consumption	Normal: 700mA Standby: 200mA
Touch	7"Capacitive
CPU	Cortex-A8, 1GHz
RAM	512MB
Assembly	Surface mount
Operation temperature	0°C ~ +70°C
Storage temperature	-25 °C ~ +70°C
IP Class	IP20