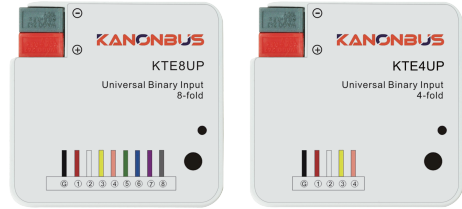


General Purpose Input Interface

User Manual

KTE4UP/KTE8UP



1

Safety instructions

- Before installation, please read user manual carefully and observe relevant standards, directives, regulations and instructions.
- Electrical equipment must be installed and programmed by qualified technicians only.
- This device is manufactured according to the relevant technical specifications and have CE.
- For more information of this product, please contact the technical engineer of manufacturer.
- Users are not permitted to alter and maintain the product without the authorization of manufacturer.
- Failure to observe the instructions may cause damage to the device and result in fire or other hazards.

Product Overview

The General Purpose Input Interface Module KTE4/8UP is used in the KNX system. It can be connected with traditional switches, self-resetting switches or other systems, and convert dry contact signals into KNX commands. It has 4/8 channels of input, features a compact size and powerful functions, and is convenient to be applied in various usage scenarios. It adopts an embedded installation method and can be recessed in the switch back box. Through program settings, the Zhengjue KTE4/8UP can control the on/off of lights, adjust the brightness, and control the opening/closing of curtains. At the same time, it can also perform controls such as numerical value sending, scene switching, temperature setting, etc.

2

Product Features

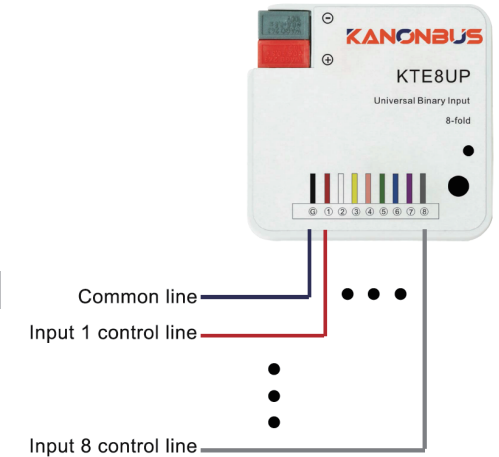
- It is powered by the KNX bus.
- It has 4/8 independent channels that can be controlled separately.
- It can perform lighting control: on/off and dimming.
- It can perform curtain control: opening/closing.
- It can send numerical values: scene recall, brightness value, temperature value, illuminance value.
- It can be connected with traditional switches/self - resetting switches to control the KNX system.
- It can be connected with other system terminals or device hosts for integration.
- It can be programmed and debugged using ETS3/4/5.

Programming instructions

1. Select the corresponding product database (KTE8UP_KTE8241.vd2) and import it into ETS3/4/5.
2. Add the device to the project created in ETS3/4/5.
3. Press the programming button on the device. Download the physical address through ETS3/4/5. After the download is completed, the red LED indicator will turn off.
4. Open the device database. After setting its parameters and associating the corresponding group objects, perform the application download.
5. After changing the physical address of the device, repeat "Step 3".
6. After modifying the parameter settings or re - associating the "group objects", repeat "Step 4" to implement new functions.

3

Product Wiring



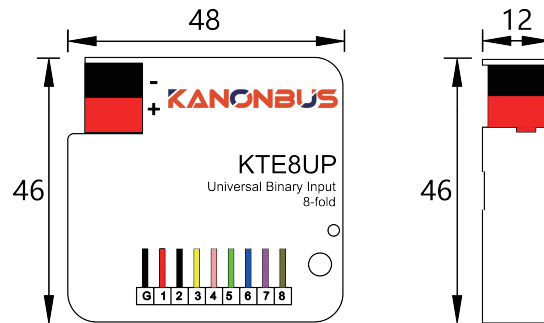
4

Product parameters

Parameters	Types	KTE4UP	KTE8UP
Power			
Power Supply		KNX Power 21V~30V DC	
Transmission Media		KNX TP	
Total rated current		≤10mA	
Product Info			
Dimensions(WxHxT)		48mm x 46mm x 12mm	
Type of protection		IP20	
Operation		0°C~70°C	
Storage		-25°C ~70°C	
Installation method		Embedded concealed installation	
Programming mode		S-mode	
Input port			
Input signal		Passive signal	
Number of ports		4 channels	8 channels

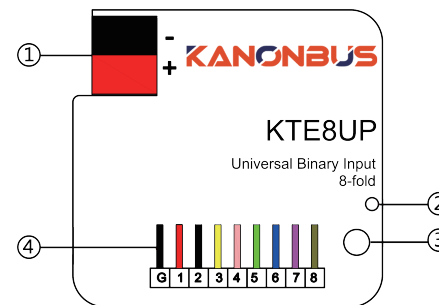
5

Product dimensions



6

Operating instructions



7

Communication example

- ① KNX bus terminal;
- ② KNX programming button indicator light. After pressing the programming button, this indicator light shows red. It will automatically turn off after the physical address is downloaded. It can also be turned on/off via the ETS software.
- ③ Programming button. Press it to write the physical address of the device.
- ④ Dry contact input control connection wires: Please make the connections by referring to the "Wiring Diagram for KTE4UP/KTE8UP".

Shanghai Kanontec Electronic Technology Co., Ltd
Room 501, Building 12B, No.1288, Luoning Road
Baoshan District, Shanghai
<http://www.kanontec.com>
E: support@kanontec.com
T: +86-21-56468387

8